

# Network Video Recorder

## NVR304-S Series



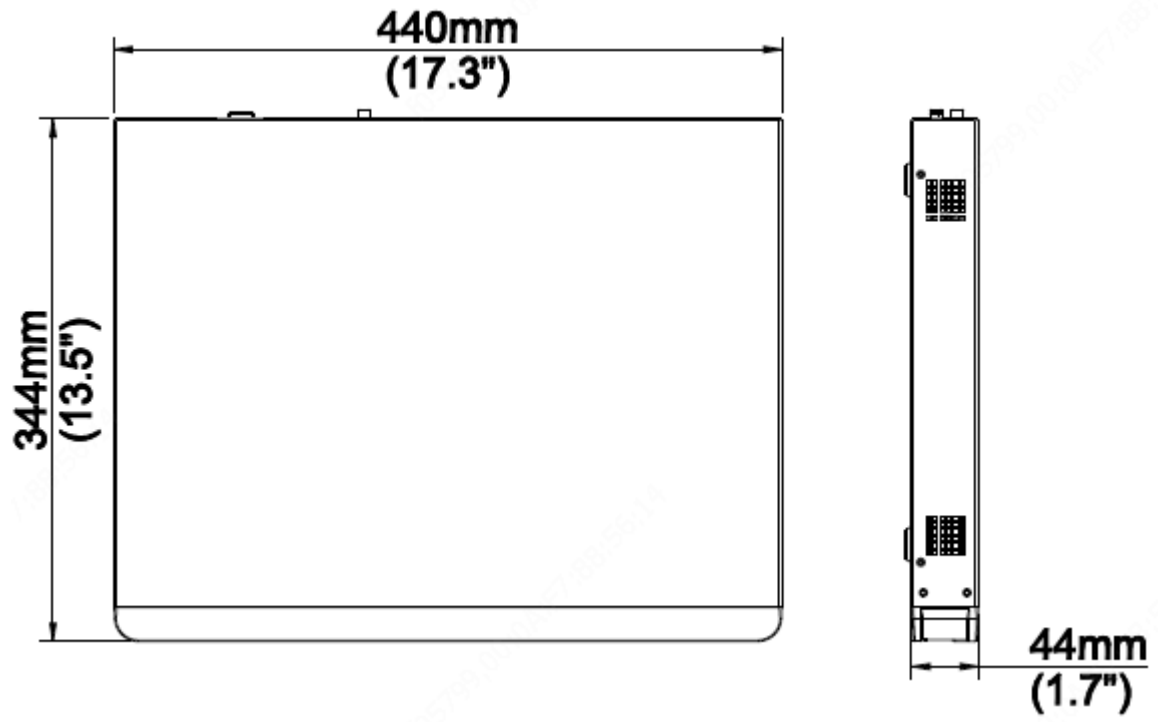
### Key Features

- Support Ultra265/H.265/H.264 video formats
- 16/32-channel input
- Third-party IP cameras supported with ONVIF conformance: Profile S, Profile G, Profile T
- HDMI and VGA simultaneous output
- Up to 8 Megapixels resolution recording
- Accurate retrieval, instant playback
- 4 SATA HDDs, up to 10TB for each HDD
- ANR technology to enhance the storage reliability when the network is disconnected
- Support cloud upgrade

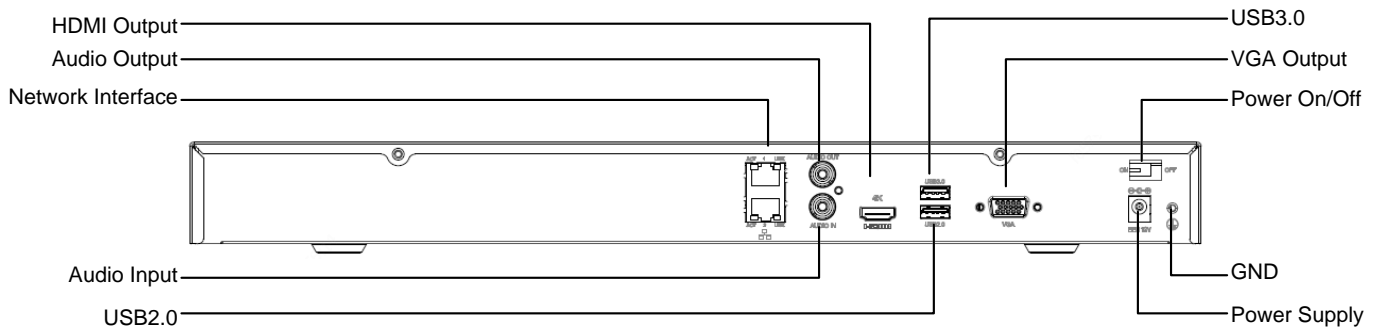
## Specifications

| Model                     | NVR304-16S   | NVR304-32S            |
|---------------------------|--|-----------------------|
| <b>Video/Audio Input</b>  |  |                       |
| IP Video Input            | 16-ch  | 32-ch                 |
| Two-way Audio Input       | 1-ch, RCA  |                       |
| <b>Network</b>            |  |                       |
| Incoming bandwidth        | 96Mbps   | 160Mbps               |
| Outgoing bandwidth        | 64Mbps   | 64Mbps                |
| Remote Users              | 128  |                       |
| Protocols                 | P2P, UPnP, NTP, DHCP, PPPoE  |                       |
| <b>Video/Audio Output</b> |  |                       |
| HDMI/VGA Output           | HDMI:<br>4K (3840x2160)@30, 1920x1080p@60, 1920x1080p@50, 1600x1200@60, 1280x1024@60, 1280x720@60, 1024x768@60<br>VGA:<br>1920x1080p@60, 1920x1080p@50, 1280x1024@60, 1280x720@60, 1024x768@60 |                       |
| Audio Output              | 1-ch, RCA  |                       |
| Recording Resolution      | 8MP/5MP/4MP/3MP/1080p/960p/720p/960H/D1/2CIF/CIF   |                       |
| Synchronous Playback      | 16ch   | 32-ch                 |
| Corridor Mode Screen      | 3/4/5/7/9/10/12/16   | 3/4/5/7/9/10/12/16/32 |
| <b>Decoding</b>           |  |                       |
| Decoding format           | Ultra265/H.265/H.264   |                       |
| Live view/ Playback       | 8MP/5MP/4MP/3MP/1080p/960p/960H/720p/D1/2CIF/CIF   |                       |
| Capability                | 2 x 4K@30, 3 x 5MP@30, 4 x 4MP@30, 5 x 3MP@30, 8 x 1080p@30, 16 x 720p@30, 32 x D1   |                       |
| <b>Hard Disk</b>          |  |                       |
| SATA                      | 4 SATA interfaces  |                       |
| Capacity                  | up to 10TB for each disk   |                       |
| <b>External Interface</b> |  |                       |
| Network Interface         | 2 RJ-45 10M/100M/1000M self-adaptive Ethernet Interfaces   |                       |
| USB Interface             | Rear panel: 1 x USB2.0, 1 x USB3.0 Front panel: 1 x USB2.0   |                       |
| <b>General</b>            |  |                       |
| Power Supply              | 12V DC<br>Power Consumption: ≤ 15W( without HDD )  |                       |
| Working Environment       | -10°C ~ + 55°C ( +14°F ~ +131°F ), Humidity ≤ 90% RH(non-condensing)   |                       |
| Dimensions(W×D×H)         | 440mm × 344mm ×44mm (17.3" × 13.5" ×1.7" )   |                       |
| Weight ( without HDD )    | ≤ 3.15 Kg (6.94 lb )   |                       |

## Dimensions



## Rear Panel



**Zhejiang Uniview Technologies Co., Ltd.**

Building No.10, Wanlun Science Park, Jiangling Road 88, Binjiang District, Hangzhou, Zhejiang, China

Email: [overseasbusiness@uniview.com](mailto:overseasbusiness@uniview.com); [globalsupport@uniview.com](mailto:globalsupport@uniview.com)

<http://www.uniview.com>

©2019 Zhejiang Uniview Technologies Co.,Ltd. All rights reserved.

\*Product specifications and availability are subject to change without notice.